

# Multi Switch ATS

**1:1** 16 A



Plug & Play  
installation

Available from:

**KOHLER POWER**  
uninterruptible



## HIGHLIGHTS

- **Redundant power supply**
- **Load protection**
- **Versatile to use**

The Riello UPS Multi Switch ATS is a high availability intelligent switch that provides redundant power to connected equipment with two AC input sources. The Riello UPS Multi Switch ATS supplies power to the connected loads from a primary mains source. If that primary source becomes unavailable, the Riello UPS Multi Switch automatically transfers loads to the secondary source. The transfer time from one source according to the ITI (CBEMA) chart does not impact the operation of the connected equipment as the switching occurs safely between the two input sources regardless of any phase differences. The Riello UPS Multi Switch ATS monitors the current and provides warnings when power consumption draws near the maximum rating which helps prevent downtime to the equipment.

Riello UPS Multi Switch ATS has 8 IEC 10 A and 1 IEC 16 A outlets allowing several devices to be plugged directly into the ATS without the need for an additional PDU. The units have a connectivity slot which allows for LAN connection and remote management through PowerShield<sup>3</sup> software, Web

interface, SNMP, or SSH which makes the Riello UPS Multi Switch ATS an ideal device for the IT manager who needs flexibility and protection of their IT equipment. Multi Switch ATS provides installations with power supply continuity. Its operating principle ensures higher reliability than a single UPS, (with or without its own internal bypass).

### Operating principle

Multi Switch ATS provides direct distribution of eight 10 A IEC outlets or one 16 A IEC outlet in a system with two input powerlines (two mains inputs, or two UPS). Multi Switch ATS is able to connect to either of the two input power lines, whilst simultaneously monitoring the power uptake.

### Protection against load faults

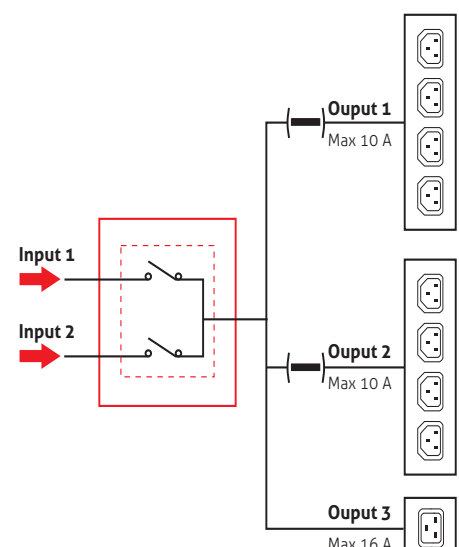
If one of the loads fails (e.g. short circuit), the Multi Switch ATS disconnects the group of sockets where the load is connected, thus preventing other loads from being switched off (i.e. in the event of poor discrimination of the protection devices).

### Protection against power supply faults

If one of the two power sources falls outside tolerance levels, Multi Switch ATS will transfer the load to the second power source (switching is instantaneous if the two sources are in phase).

Multi Switch ATS units switch power with no impact to IT equipment. Per the ITI Curve, typical power supplies will operate 20ms

after AC voltage drops to zero. The IEEE 1100-1999 standard also references the ITI curve. The SSI (Server System Infrastructure) standard recommends a hold-up time for power supplies to be a minimum of 21ms for a voltage range of 100-240V. Multi Switch ATS units switch sources under these industry standard times. The switching time includes the time for the built-in intelligence to determine whether the voltage and frequency are in range. Any point of failure in the electronics does not cause a drop out of the output voltage because the unit incorporates redundancy of its electronic circuitry to avoid fault tolerance.



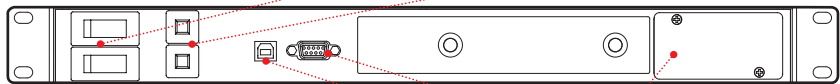
## Features

- Full protection for loads against mains and load failures
- Redundant power supply
- Versatile to use: Multi Switch ATS can be powered with 2 different power supplies (including 2UPS of different sizes/types)
- 19" cabinet installation
- Display panel
- Can be connected to PowerNetGuard supervision software
- No signal connection between the MultiSwitch ATS and the power sources or loads is necessary
- Compatible with PowerShield<sup>3</sup> software
- Slot for communications boards: the optional network card allows for remote in network connectivity, and management through HTTP, SNMP, and SSH protocol.

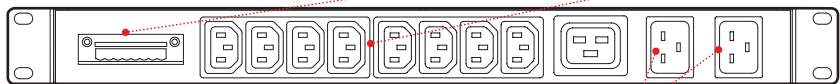
## DETAILS

### MTA

#### FRONT



#### REAR



## OPTIONS

### SOFTWARE

PowerShield<sup>3</sup>

### ACCESSORIES

NETMAN 204

MULTICOM 302

MULTICOM 352

## MODELS

### NOMINAL CURRENT (A)

#### INPUT

Nominal voltage - sources S1/S2

Input voltage tolerance

Switched input phases

Nominal frequency

Input sockets

#### OPERATING SPECIFICATIONS

Transfer type

Transfer time following source failure

#### OUTPUT

Nominal voltage

Max. load for each output

Output sockets

#### ENVIRONMENTAL SPECIFICATIONS

Efficiency at full load

Noise at 1 m from front (from 0 to full load)

Storage temperature

Operating temperature

Relative humidity

Max. installation height

Reference standard

#### INFO FOR INSTALLATION

Weight (kg)

Dimensions (WxDxH) (mm)

Colour

IP rating

Communications

## MTA

16

230 Vac single-phase + N

180-276 Vac (selectable)

ph+N (two poles)

50/60 Hz

2 IEC 320 (16 A)

"Break Before Make" (no overlapping sources)

< 8 msec (S1/S2 synchronised) 20 msec (S1/S2 non synchronised)

choice of one of the two input power sources

10 A on IEC-320 C13 - 16 A on IEC-320 C19

4+4 IEC-320 C13 (10 A) + 1 IEC-320 C19 (16 A)

> 99%

< 35 dBA

-10 °C up to +50 °C

0 °C - 40 °C

90% non-condensing

1000 m at nominal power (-1% power for every 100 m above 1000 m) - Max 4000 m

EN 62310-1 (safety) EN 62310-2 (electro-magnetic compatibility)

6

19" x 330 x 1U

RAL 5004

IP 20

RS232 / USB / Slot for communication interface / Relay contacts port

Follow us on Social Networks



RPS SpA - Riello Power Solutions - Member of the Riello Elettronica Group

Viale Europa, 7 - 37045 Legnago (Verona) - ITALY  
Tel: +39 0442 635811 - Fax: +39 0442 629098

www.riello-ups.com  
riello@riello-ups.com